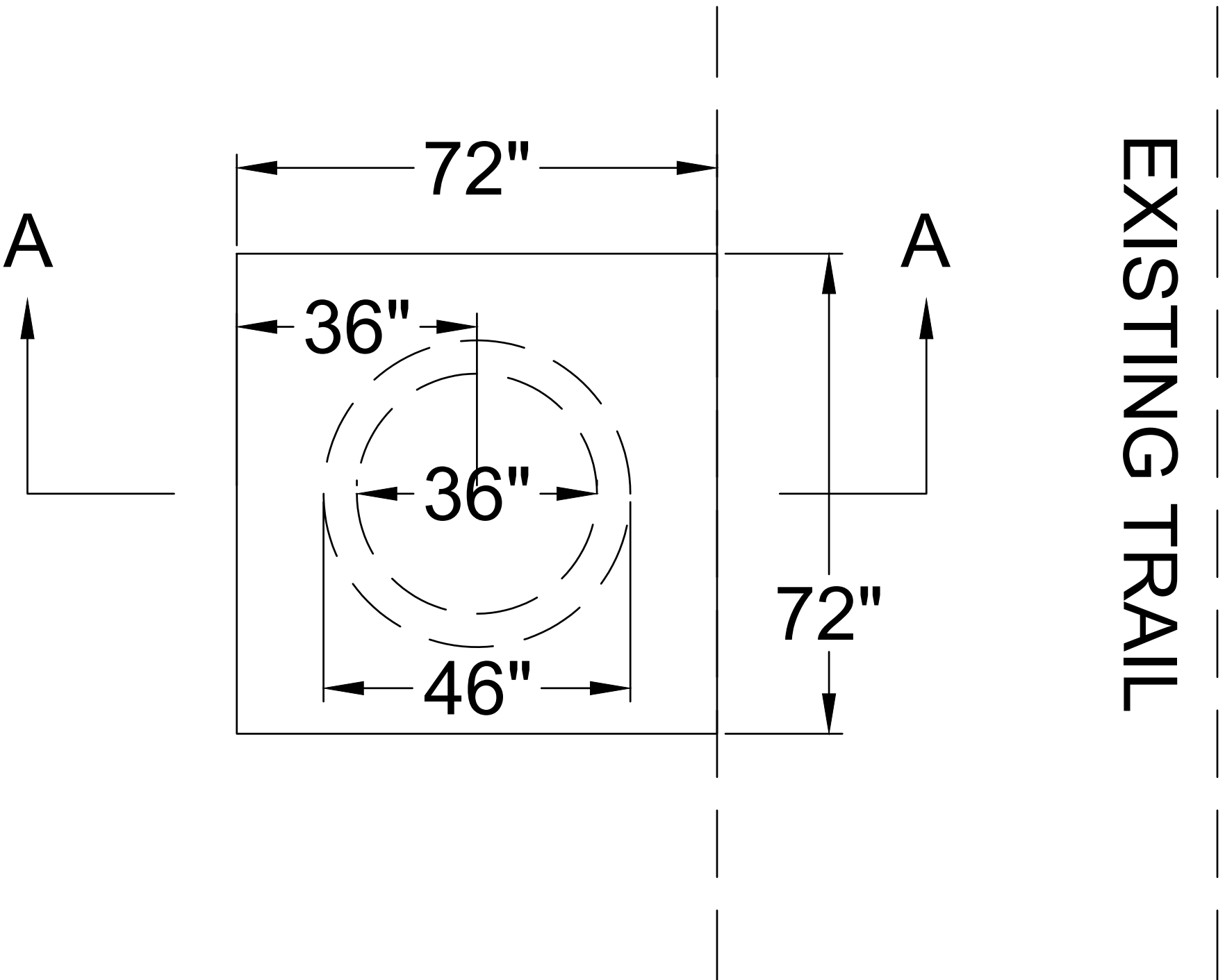
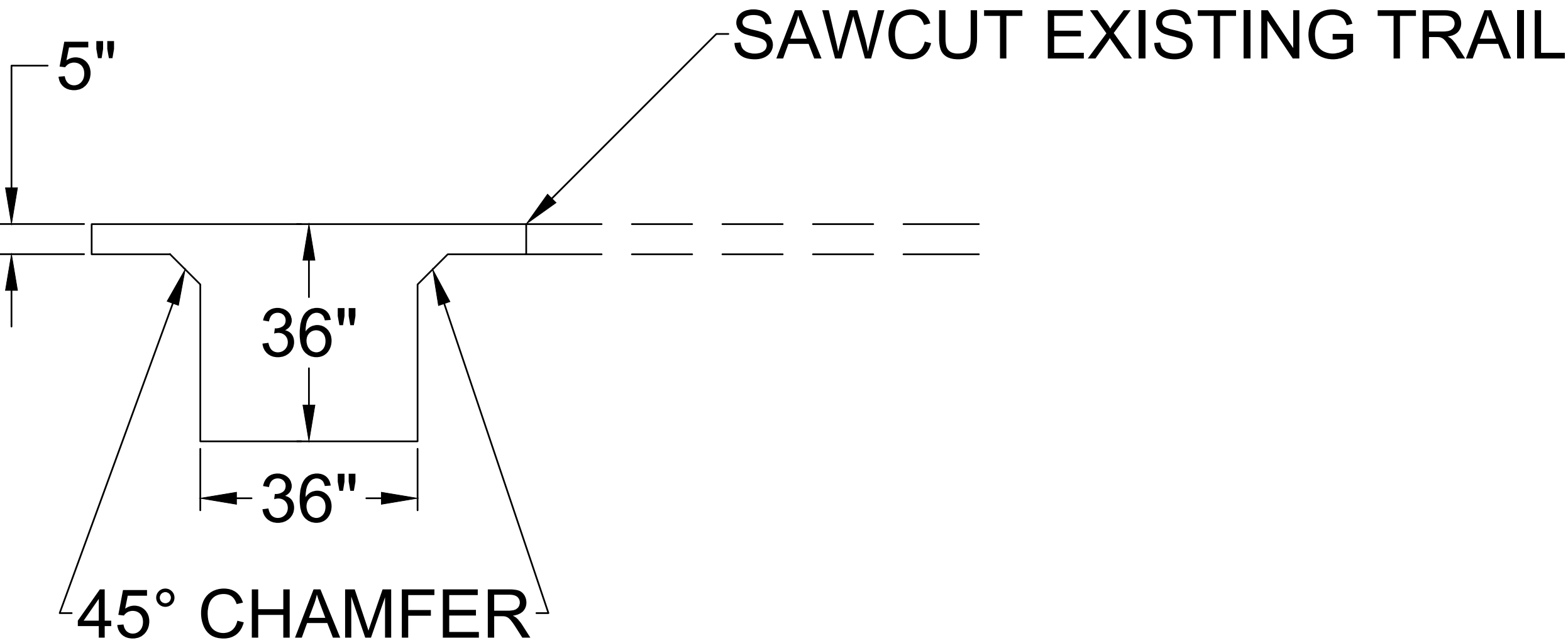


Emergency Call Box Foundation and Pad



PLAN



SECTION AA

*CLASS SI CONCRETE
MONOLITHICALLY POURED